

## LAUFEN PRO



### 820950

Wall hanging water closet bowl, washdown, with flushing rim (anchor screw spacing 180 mm)

#### Dimensions

Length: 22 2/16 inch  
 Width: 14 3/16 inch  
 Height: 13 12/16 inch

#### Options

#### Weight (Lb)

250 with certification Mark "cUPC", with ASME Label 40.48 Lb

#### Related products

893952 Seat with cover 'universal', removable, light version  
 893958 Seat with cover 'universal', removable, with slow lowering system, light version  
 896958 Seat with cover



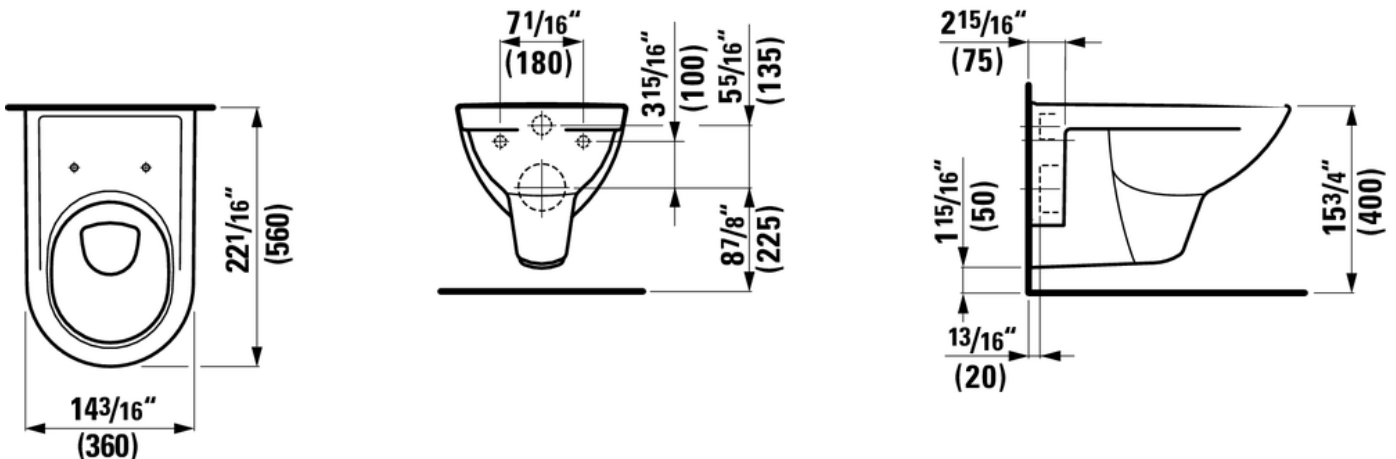
#### Colours and finishes

000 White

#### Specification text

Wall Hanging Water Closet Bowl, washdown LAUFEN PRO  
 Vitreous china  
 Meets or exceeds the following:  
 ASME 112.19.2/ASME 112.19.14, cUPC/IAPMO listed  
 Dual Flush 1,6/0,8 gpf, 6/3lpf  
 Features:  
 For concealed Tank  
 Open water rim, glazed  
 Fully glazed trapway, vacuum checked  
 Seat with cover to be ordered separately  
 Concealed Water Closet Tank to be ordered separately  
 Limited 5 year warranty

#### Technical drawings



## LAUFEN PRO



## LAUFEN PRO

